



CFLV Series Cartridge Filters

SINGLE AND DOUBLE LENGTH

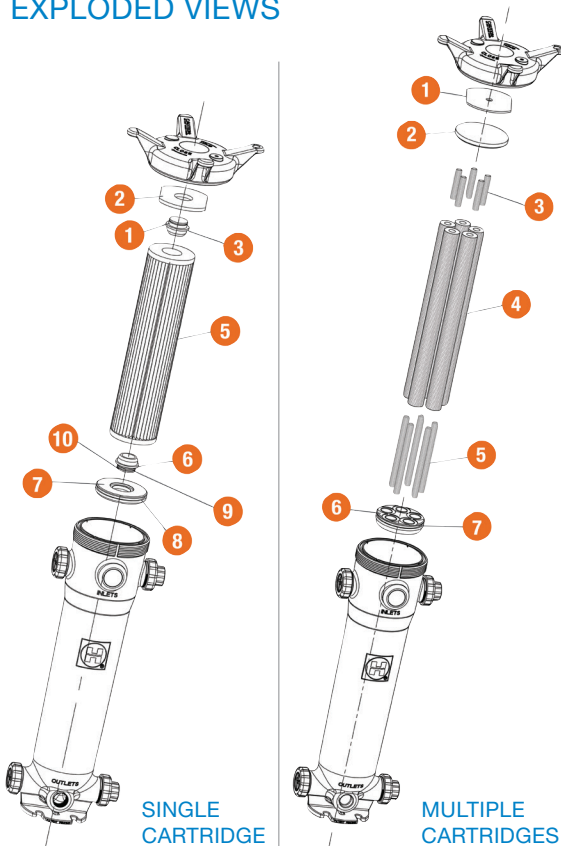
KEY FEATURES

- Platinum Glass Filled Polypropylene
- One-Piece Injection Molded Construction
- Allows for Single 7" or Multiple (5) 2-1/2" Cartridges
- Ideal for Pleated, Meltblown or Spin Wounded Cartridges
- True Union Design with Multiple End Connection Options
- Hand Removable Ergonomic Cover with Liquid Displacing Dome
- Vent Valve on Cover
- In-Line or Loop Configuration
- Drain Port at Bottom
- Integral Mounting Base

OPTIONS

- Duplex or Other Manifold Systems
- Vent Gauge with Gauge Guard
- Pressure Differential Gauge and Switch
- EPDM Seals
- Multiple Cartridge Adapters Options

EXPLODED VIEWS



TECHNICAL INFORMATION

SELECTION CHART

SIZE*	MATERIAL	END CONNECTIONS	PIPING SIZES	SEALS	FLOW RATE	PRESSURE RATING
Single Length 7" x 16"	GFPP	GFPP (Threaded and Flanged), PVC/CPVC (Socket and PP Socket Fusion)	1-1/4" – 2" (DN32 – DN50)	FPM or EPDM	100 GPM	150 PSI @ 70°F 10 Bar @ 21°C Non-Shock
Double Length 7" x 32"			2-1/2" – 4" (DN65 – DN100)		150 GPM	

* PVC and CPVC socket ends available to ISO 727-1 and threaded ends to BS21.
PP socket fusion ends per ASTM F2389 and threaded ends per BS21.
Flanged ends available in DIN EN PN10.

CFLV Series Cartridge Filters

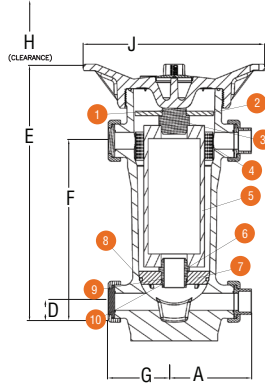
SINGLE AND DOUBLE LENGTH



TECHNICAL INFORMATION, CONTINUED

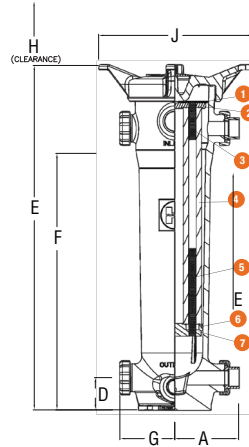
SINGLE CARTRIDGE PARTS LIST

1. Cartridge Connector Retaining O-Ring
2. Upper Plate
3. Cartridge Connector (Upper)
4. Flow Diffuser
5. Cartridge (not included in kit)
6. Cartridge Connector (Lower)
7. Lower Plate
8. Lower Plate Seal
9. Cartridge Connector Sealing O-Ring
10. Cartridge Connector Retaining O-Ring



MULTIPLE CARTRIDGE PARTS LIST

1. Anti-Rotation Ring
2. Upper Plate
3. Perforated Tube (Short)
4. Cartridge (not included in kit)
5. Perforated Tube (Long)
6. Lower Plate Seal
7. Lower Plate



DIMENSIONS – SINGLE LENGTH

FILTER SIZE in / DN	A in / mm	D in / mm	E in / mm	F in / mm	G in / mm	H* in / mm	J in / mm
1-1/4" / 32	8.86 / 225	4.50 / 114	31.83 / 808	23.00 / 584	7.60 / 193	15.25 / 387	20.93 / 532
1-1/2" / 40	8.86 / 225	4.50 / 114	31.83 / 808	23.00 / 584	7.60 / 193	15.25 / 387	20.93 / 532
2" / 50	8.91 / 226	4.50 / 114	31.83 / 808	23.00 / 584	7.60 / 193	15.25 / 387	20.93 / 532

Dimensions are subject to change without notice – consult factory for installation information

* Clearance from top for basket removal

DIMENSIONS – DOUBLE LENGTH

FILTER SIZE in / DN	A in / mm	D in / mm	E in / mm	F in / mm	G in / mm	H* in / mm	J in / mm
1-1/4" / 32	8.86 / 225	4.50 / 114	47.83 / 1215	39.00 / 991	7.60 / 193	31.25 / 794	20.93 / 532
1-1/2" / 40	8.86 / 225	4.50 / 114	47.83 / 1215	39.00 / 991	7.60 / 193	31.25 / 794	20.93 / 532
2" / 50	8.91 / 226	4.50 / 114	47.83 / 1215	39.00 / 991	7.60 / 193	31.25 / 794	20.93 / 532
2-1/2" / 65	9.79 / 249	4.50 / 114	47.83 / 1215	39.00 / 991	8.38 / 213	31.25 / 794	20.93 / 532
3" / 80	9.73 / 247	4.50 / 114	47.83 / 1215	39.00 / 991	8.38 / 213	31.25 / 794	20.93 / 532
4" / 100	10.17 / 258	4.50 / 114	47.83 / 1215	39.00 / 991	8.38 / 213	31.25 / 794	20.93 / 532

Dimensions are subject to change without notice – consult factory for installation information

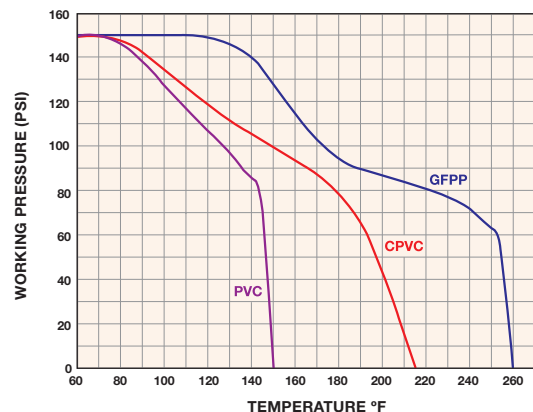
* Clearance from top for basket removal

CARTRIDGE ADAPTER SELECTION CHART

CARTRIDGE TYPE	AVAILABLE YES / NO	
	CFLV SINGLE LENGTH	CFLV DOUBLE LENGTH
2-1/2" – 2-3/4" DOE/222XCAP	Yes	Yes
4-1/2" DOE/222XCAP	Yes	Yes
Hayward 7"x16" DOE	Yes	No
Hayward 7"x16" DOE (Double Stacked)	No	Yes
Hayward 7"x30"	No	Yes
7-3/4" DOE	Yes	Yes

Consult Hayward for Available Cartridges.

OPERATING TEMPERATURE / PRESSURE



USA: 1.888.429.4635 • Fax: 1.888.778.8410 • One Hayward Industrial Drive • Clemmons, NC 27012 • Email: hfcsales@hayward.com
 Canada: 1.888.238.7665 • Fax: 1.905.829.3636 • 2880 Plymouth Drive • Oakville, ON L6H 5R4 • Email: hfcanada@hayward.com
 Visit us at: haywardflowcontrol.com



Cartridge Filter Adapter Kits

FOR SINGLE AND MULTIPLE CARTRIDGES

KEY FEATURES

- Polypropylene Construction
- For Single or Multiple up to 5 Cartridges
- Accommodates Melt Blown, Spun or Pleated Cartridges
- Adapters for Single Length and Double Length CFLV's
- Adapters are designed to work with DOE and 222 End Connectors (where applicable)

BENEFITS

- Simple Install of Adapter and Cartridges
- Access Top Plate Allows for Effortless Removal of Cartridges

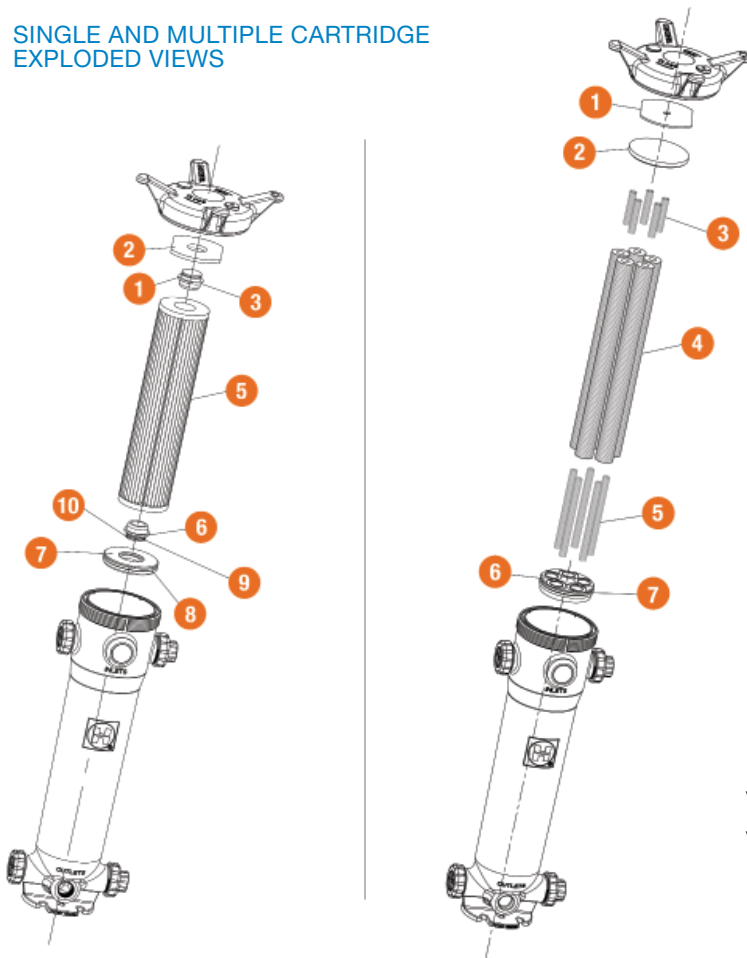
TYPICAL APPLICATIONS

- Water and Wastewater Treatment
- Desalinization, RO and Deionized Water Systems
- Chemical Processing
- Food and Beverage
- Aquatic and Animal Life Support Systems
- Metal Finishing and Plating
- Marine and Corrosive Environments

MATERIALS

- PP per ASTM D4101
- Heavy Duty FPM Seals
- EPDM Seals Optional

SINGLE AND MULTIPLE CARTRIDGE EXPLODED VIEWS



www.monarchindustrial.com.au
www.monarchasiapacific.com.au

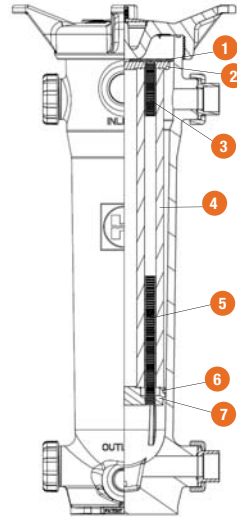
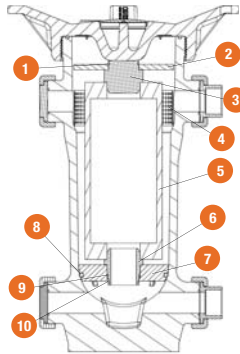
Cartridge Filter Adapter Kits, *CONTINUED*

FOR SINGLE AND MULTIPLE CARTRIDGES (cartridges not included)



SINGLE CARTRIDGE PARTS LIST

1. Cartridge Connector Retaining O-Ring
2. Upper Plate
3. Cartridge Connector (Upper)
4. Flow Diffuser
5. Cartridge (not included in kit)
6. Cartridge Connector (Lower)
7. Lower Plate
8. Lower Plate Seal
9. Cartridge Connector Sealing O-Ring
10. Cartridge Connector Retaining O-Ring



MULTIPLE CARTRIDGE PARTS LIST

1. Anti-Rotation Ring
2. Upper Plate
3. Perforated Tube (Short)
4. Cartridge (not included in kit)
5. Perforated Tube (Long)
6. Lower Plate Seal
7. Lower Plate



CARTRIDGE FILTER ADAPTER KITS FOR INSTALLATION OF SINGLE (1) CARTRIDGES/HAYWARD

PART NUMBER	DESCRIPTION
CFLVKIT716	Cartridge Adapter, For Single Length Series Cartridge Filter, Cartridge 7" x 16" (DOE)
CFLVKIT732	Cartridge Adapter, For Double Length Series Cartridge Filter, Cartridge 7" x 16" (DOE) Double Stacked
CFLVKIT730	Cartridge Adapter, For Double Length Series Cartridge Filter, Cartridge 7" x 30" (DOE)



CARTRIDGE FILTER ADAPTER KITS FOR INSTALLATION OF SINGLE (1) CARTRIDGES/OTHER MANUFACTURERS****

PART NUMBER	DESCRIPTION
CFLVKIT410	Cartridge Adapter, For Single Length Series Cartridge Filter, Cartridge 4-1/2" x 10"*** (DOE, 222 CAP or FIN)**
CFLVKIT430	Cartridge Adapter, For Double Length Series Cartridge Filter, Cartridge 4-1/2" x 30"*** (DOE, 222 CAP or FIN)**
CFLVKIT810	Cartridge Adapter, For Single Length Series Cartridge Filter, Cartridge 7-3/4" x 10"**** (DOE)
CFLVKIT830	Cartridge Adapter, For Double Length Series Cartridge Filter, Cartridge 7-3/4" x 30"**** (DOE)



CARTRIDGE FILTER ADAPTER KITS FOR INSTALLATION OF MULTIPLE (5) CARTRIDGES/HAYWARD AND OTHER MANUFACTURERS****

PART NUMBER	DESCRIPTION
MFLVKIT210	Cartridge Adapter, For Single Length Series Cartridge Filter, Cartridge 2-1/2"-2-3/4" x 10"*** (DOE, 222 CAP or FIN)**
MFLVKIT230	Cartridge Adapter, For Double Length Series Cartridge Filter, Cartridge 2-1/2"-2-3/4" x 30"*** (DOE, 222 CAP or FIN)**

- Consult factory for other cartridge kit sizes.
- Some kits contain dual purpose components.
- Cartridges shown are sold separately. Kits do not include cartridges.

* Designated adapters are designed to work with DOE and 222 End Connectors.

** ID minimum of 1".

*** ID minimum of 2-5/8".

**** When using non-Hayward manufactured cartridges, it is suggested to check cartridge dimensions and/or consult factory for proper fit.



Hayward is a registered trademark of Hayward Industries, Inc. © 2013 Hayward Industries, Inc.

Pleated Filter Cartridges

HIGH CAPACITY/EFFICIENCY

KEY FEATURES

- Multiple Micron Ratings for High Efficiency Filtration
- For use with Single (7" diameter) and Multiple (2-1/2" diameter) Cartridge CFLVs (Single and Double Length)
- High Surface Area Design Provides Excellent Flow Rates and Comprehensive Service Life
- Thermally Bonded DOE End-Caps, Core and Filter Media

BENEFITS

- Low Pressure Drop
- Multiple Layered Media Construction Guarantees Dependable Performance

TYPICAL APPLICATIONS

- Water and Wastewater Treatment
- Desalinization, RO and Deionized Water Systems
- Chemical Processing
- Food and Beverage
- Aquatic and Animal Life Support Systems
- Metal Finishing and Plating
- Marine and Corrosive Environments

MATERIALS

- PP Media
- Cellulose Media
- Plastisol PVC
- PP Core
- ABS Core

OPERATING CHARACTERISTICS

- Max. ΔP : 60 PSI at maximum recommended temperature of 140°F
- Change-out recommended at 30 PSID



SINGLE AND MULTIPLE CARTRIDGE VIEWS



www.monarchindustrial.com.au
www.monarchasiapacific.com.au

Pleated Filter Cartridges, *CONTINUED*

HIGH CAPACITY/EFFICIENCY



PLEATED FILTER CARTRIDGES SINGLE (1), FOUR IN CARTON/HAYWARD - PROPRIETARY

NOMINAL MICRON RATING	DESCRIPTION	FILTRATION AREA PER CARTRIDGE SQ FT	USE WITH CFLV SERIES ADAPTER KIT
1, 5, 10 and 30	7" x 16" (DOE)* PP Cartridge** For Single Length Series Cartridge Filter	45	CFLVKIT716
1, 5, 10 and 30	7" x 16" (DOE)* PP Double Stacked Cartridge** For Double Length Series Cartridge Filter	45 x 2	CFLVKIT732
1, 5, 10 and 30	7" x 30" (DOE)* PP Cartridge For Double Length Series Cartridge Filter	85	CFLVKIT730



PLEATED FILTER CARTRIDGES SINGLE (1), FOUR IN CARTON/HAYWARD - PROPRIETARY

NOMINAL MICRON RATING	DESCRIPTION	FILTRATION AREA PER CARTRIDGE SQ FT	USE WITH CFLV SERIES ADAPTER KIT
5	7" x 16" (DOE)* Polyester Cellulose Cartridge** For Single Length Series Cartridge Filter	45	CFLVKIT716
5	7" x 16" (DOE)* Polyester Cellulose Double Stacked Cartridge** For Double Length Series Cartridge Filter	45 x 2	CFLVKIT732



PLEATED FILTER CARTRIDGES - MULTIPLE (5), 25 IN CARTON

NOMINAL MICRON RATING	DESCRIPTION	FILTRATION AREA PER CARTRIDGE SQ FT	USE WITH CFLV SERIES ADAPTER KIT
1, 5, 10 and 30	2-1/2" x 10" (DOE)* PP Cartridge** For Single Length Series Cartridge Filter	4.5	MFLVKIT210
1, 5, 10 and 30	2-1/2" x 20" (DOE)* PP Cartridge** For FLT120 or FLT220	9	N/A
1, 5, 10 and 30	2-1/2" x 30" (DOE)* PP Cartridge** For Double Length Series Cartridge Filter	13.5	MFLVKIT230

NOTES:

* All end caps are Platisol PVC.

** For chemical compatibility, refer to the Hayward Engineering Product Guide (EPG113) or consult factory. For other media and micron ratings, please consult factory.



Hayward is a registered trademark of Hayward Industries, Inc. © 2013 Hayward Industries, Inc.

www.monarchindustrial.com.au
www.monarchasiapacific.com.au

Contact Hayward Flow Control with questions: 1-888-429-4635 • Fax: 1-888-778-8410 • One Hayward Industrial Drive • Clemmons, NC 27012 • USA
Visit us at: www.haywardflowcontrol.com • Email: hflow@haywardnet.com