



Certified to
NSF/ANSI 61 & 372
PVC/EPDM

BFA Series Bulkhead Fittings Standard Flange

1/2" TO 6" PVC, CPVC AND PP – LONG PATTERN

KEY FEATURES

- Available in PVC, CPVC and PP
- Extra Long Design for Thick Tank Walls
- Left-Hand Threads
- Rated at 150 PSI
- FPM or EPDM Gasket Seal
- Hex Body for One-Person Installation
- Full Buttress Threads
- NSF / ANSI 61 and NSF / ANSI 372 Listed

OPTIONS

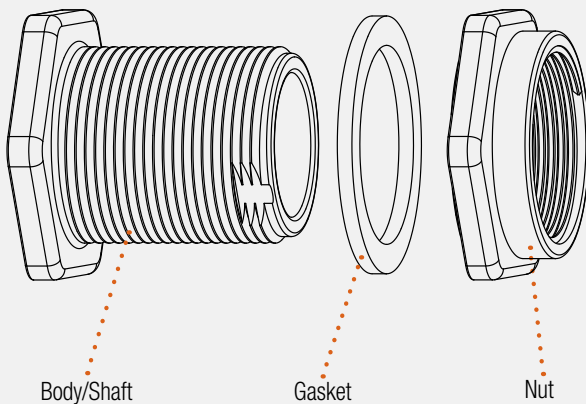
- Ready Flanges (for Making Flanged Connections to Tanks)
- Tank-Tite™

MATERIALS

- PVC Cell Class 12454 per ASTM D1784
- CPVC Cell Class 23447 per ASTM D1784
- PP per ASTM D4101
- FPM and EPDM Gaskets

TECHNICAL INFORMATION

EXPLODED VIEW



SELECTION CHART

SIZE	MATERIAL	END CONNECTION	GASKETS	PRESSURE RATING
1/2" – 6" (DN15 – DN150)	PVC	Socket x Socket Socket x Thread	FPM or EPDM	150 PSI @ 70°F Non-Shock
	CPVC	Thread x Thread		
	PP	Thread x Thread		

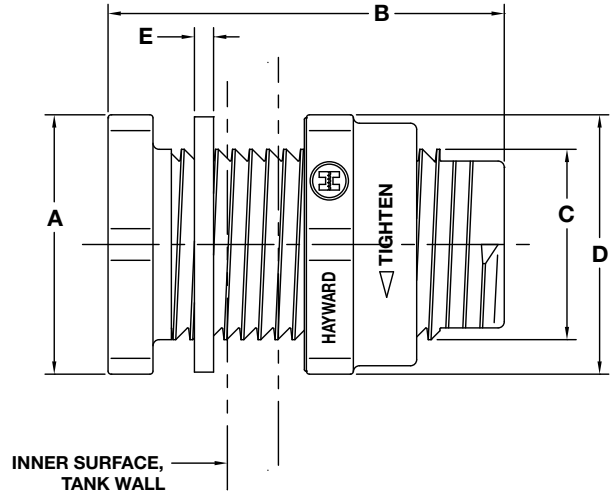
BFA Series Bulkhead Fittings – Standard Flange

1/2" TO 6" PVC, CPVC AND PP – LONG PATTERN

TECHNICAL INFORMATION, CONTINUED

MINIMUM INSIDE RADII OF TANKS FOR BULKHEAD FITTING INSTALLATION

SIZE in / DN	Min. Rigid Tank Radius	Min. Flexible Tank Radius	Max. Wall Thickness
1/2 / 15	7.25"	6.50"	2.08"
3/4 / 20	10.00"	9.25"	2.08"
1 / 25	11.75"	10.70"	2.08"
1-1/4 / 32	16.25"	12.19"	2.00"
1-1/2 / 40	16.25"	12.19"	2.00"
2 / 50	25.75"	19.38"	2.00"
3 / 80	30.00"	25.25"	2.12"
4 / 100	60.00"	55.00"	2.45"
6 / 150	114.00"	97.00"	3.25"

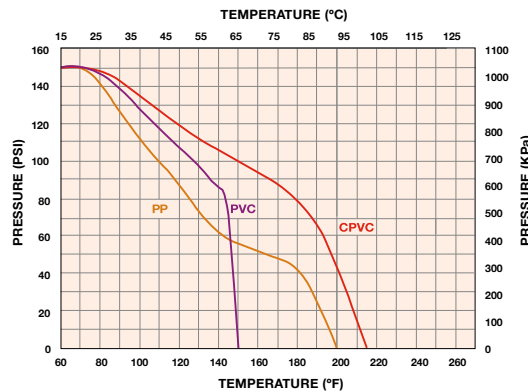


DIMENSIONS

SIZE in / DN	A in / mm ACROSS FLATS	B in / mm	C in / mm INSTALLATION HOLE SIZE	D in / mm ACROSS FLATS	E in / mm GASKET THICKNESS
1/2 / 15	2.00 / 51	3.75 / 95	1.38 / 35	2.00 / 51	.19 / 5
3/4 / 20	2.38 / 60	3.88 / 99	1.63 / 41	2.38 / 60	.19 / 5
1 / 25	2.56 / 65	3.88 / 99	1.88 / 48	2.56 / 65	.19 / 5
1-1/4 / 32	3.25 / 83	4.00 / 102	2.65 / 67	3.25 / 83	.19 / 5
1-1/2 / 40	3.25 / 83	4.00 / 102	2.65 / 67	3.25 / 83	.19 / 5
2 / 50	4.38 / 111	4.25 / 108	3.25 / 83	4.38 / 111	.25 / 6
3 / 80	6.00 / 152	4.65 / 118	4.50 / 114	6.00 / 152	.25 / 6
4 / 100	8.75 / 222	5.75 / 146	5.75 / 146	8.75 / 222	.25 / 6
6 / 150	12.00 / 305	8.00 / 203	8.06 / 205	12.00 / 305	.31 / 8

Dimensions are subject to change without notice – consult factory for installation information
 Dimensions A and D are Across Flats. 1/2" to 2" Hexagon Flats, 3", 4" and 6" Octagon Flats

OPERATING TEMPERATURE/PRESSURE



Hayward is a registered trademark of Hayward Industries, Inc.
 © 2023 Hayward Industries, Inc.

USA: 1.888.429.4635 • Fax: 1.888.778.8410 • One Hayward Industrial Drive • Clemmons, NC 27012 • Email: hfcsales@hayward.com
 Canada: 1.888.238.7665 • Fax: 1.905.829.3636 • 2880 Plymouth Drive • Oakville, ON L6H 5R4 • Email: hflowcanada@hayward.com
 Visit us at: haywardflowcontrol.com

Authorised Distributor of Hayward Flow Control, a Division of Hayward Industries, Inc

Hayward Flow Control has been a leading manufacturer of industrial thermoplastic valves and process control products for more than 60 years. In fact, Hayward was one of the originators of the first thermoplastic ball valves. Since then, we have remained committed to producing the highest quality products while providing outstanding service.

Liquid Filters and Strainers



Bag Filter vessel

- GFPP
- PVC
- CPVC



Y Strainers

- PVC
- CPVC
- Clear PVC
- PVDF



Simplex Strainers

- PVC
- CPVC
- GFPP
- PVDF
- Eastar® (Clear)



Duplex Strainers

- PVC
- CPVC
- GFPP
- Eastar® (Clear)

Valves and Flow Control



Ball Valves

- PVC
- CPVC
- GFPP
- PVDF



Check Valves

- Ball Check Valves
- Y-Check Valves
- Wafer Check Valves
- Swing Check Valves



Pressure & Chemfeed

- Injection Quills
- Back Pressure
- Pressure Relief
- Diaphragm Valves
- Needle Valves
- Angle Globe Valves



Butterfly Valves

- PVC
- CPVC
- GFPP
- PP
- PVDF



Actuation

- Electric
- Pneumatic



Solenoid Valves

- PVC
- CPVC
- PVDF



Australia

Monarch Asia Pacific Pty Ltd
Unit 3
8 Bult Drive
Brendale, QLD 4500

Phone : +61 (0) 7 3889 9949

www.monarcindustrial.com.au



Thailand

PSF Equipment (Thailand) Co Ltd
11 Soi Suanphak 42
Suanphak Road, Chimphi
Talingchan, Bangkok 10170

Phone : +66 (0) 2 882 5512
Fax No: +66 (0) 2 424 3725

www.psfthailand.com