



SW Series Swing Check Valves

3" TO 6" PVC, CPVC AND GFPP
AND 8" PVC AND GFPP

KEY FEATURES

- Available in PVC, CPVC and GFPP
- High Temperature/Pressure Ratings
- Horizontal or Vertical Installation
- Two-in-One Seat Design
- Built-in Flange Seals
- Two Drain Ports
- Self-Aligning Clapper Seals
- High Cv Rating and Full Flow Design

OPTIONS

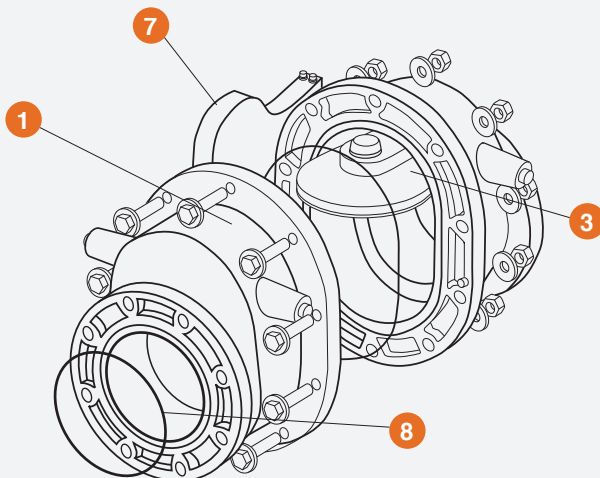
- Counterweight for Closing Assistance
- Limit Switch for Position Indication

MATERIALS

- PVC Cell Class 12454 per ASTM D1784
- CPVC Cell Class 23447 per ASTM D1784
- GFPP Cell Class 85580 per ASTM D4101
- FPM and EPDM O-Ring Seals

TECHNICAL INFORMATION

EXPLODED VIEW



SELECTION CHART

SIZE	MATERIAL	END CONNECTION	SEALS	PRESSURE RATING
3" – 6" (DN80 – DN150)	PVC, CPVC or GFPP	Flanged	FPM or EPDM	150 PSI @ 70°F 10 Bar @ 21°C Non-Shock
8" (DN200)	PVC or GFPP			

* Flanged ends available in DIN / EN PN10.

SW Series Swing Check Valves

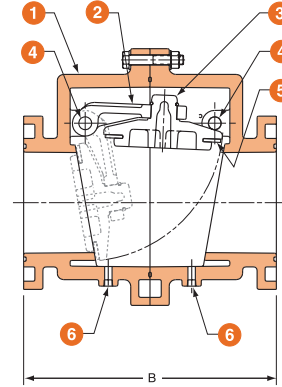
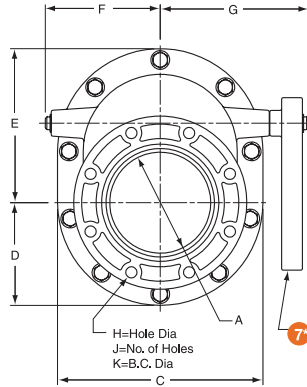
3" TO 6" PVC, CPVC AND GFPP AND 8" PVC AND GFPP

TECHNICAL INFORMATION, CONTINUED

PARTS LIST

1. Body
2. Swing Arm
3. Clapper
4. Shaft*
5. Body Seal
6. Drain Plug (2)
7. Counter Weight (Optional)
8. O-Ring Face Seal

* PVC with PVC valves
 PVDF with GFPP Valves
 CPVC with CPVC valves



DIMENSIONS

SIZE in / DN	A in / mm	B in / mm	C in / mm	D in / mm	E in / mm	F in / mm	G in / mm	H in / mm	J in / mm	K in / mm	MINIMUM BACK PRESSURE TO CLOSE - PSI	WEIGHT lbs / kg
3 / 80	3.00 / 76	10.24 / 260	7.50 / 191	3.75 / 95	5.21 / 132	3.90 / 99	4.91 / 125	.62 / 16	4.00 / 102	6.00 / 152	3	10.00 / 4.54
4 / 100	3.90 / 99	11.81 / 300	9.25 / 235	4.63 / 118	6.75 / 171	4.80 / 122	6.15 / 156	.62 / 16	8.00 / 203	7.50 / 191	3	21.00 / 9.53
6 / 150	5.91 / 150	15.75 / 400	12.75 / 324	6.38 / 162	9.25 / 235	6.47 / 164	8.30 / 211	.75 / 19	8.00 / 203	9.50 / 241	3	47.00 / 21.32
8 / 200	7.87 / 200	19.69 / 500	16.00 / 406	8.00 / 203	12.00 / 305	8.96 / 228	11.54 / 293	.75 / 19	8.00 / 203	11.75 / 298	3	90.00 / 40.82

Dimensions are subject to change without notice – consult factory for installation information

Cv VALUES

SIZE in / DN	Cv VALUES	SIZE in / DN	Cv VALUES
3 / 80	328	6 / 150	1,278
4 / 100	514	8 / 250	2,549

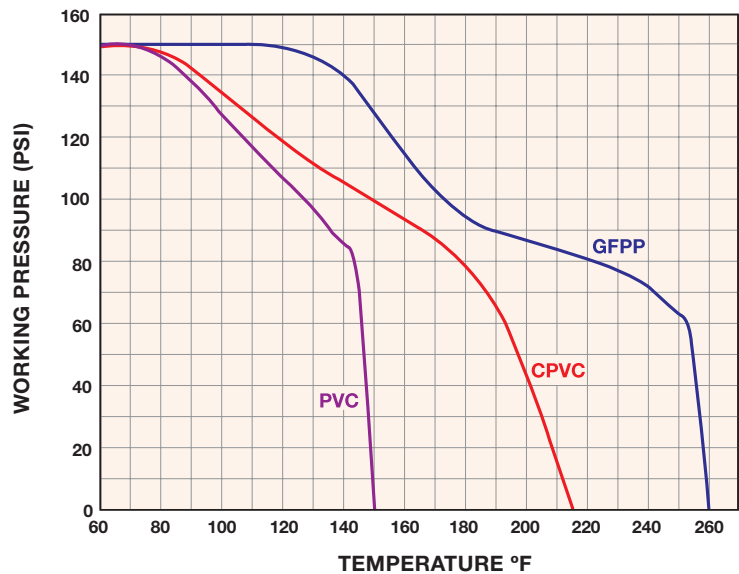
PRESSURE LOSS CALCULATION FORMULA

$$\Delta P = \left[\frac{Q}{C_v} \right]^2$$

ΔP = Pressure Drop
 Q = Flow in GPM
 C_v = Flow Coefficient

OPERATING TEMPERATURE/PRESSURE

3" TO 8" SWING CHECK VALVE



Hayward is a registered trademark
 of Hayward Industries, Inc.
 © 2021 Hayward Industries, Inc.

USA: 1.888.429.4635 • Fax: 1.888.778.8410 • One Hayward Industrial Drive • Clemmons, NC 27012 • Email: hfcsales@hayward.com
Canada: 1.888.238.7665 • Fax: 1.905.829.3636 • 2880 Plymouth Drive • Oakville, ON L6H 5R4 • Email: hfcanada@hayward.com
 Visit us at: haywardflowcontrol.com

Authorised Distributor of Hayward Flow Control, a Division of Hayward Industries, Inc

Hayward Flow Control has been a leading manufacturer of industrial thermoplastic valves and process control products for more than 60 years. In fact, Hayward was one of the originators of the first thermoplastic ball valves. Since then, we have remained committed to producing the highest quality products while providing outstanding service.

Liquid Filters and Strainers



Bag Filter vessel

- GFPP
- PVC
- CPVC



Y Strainers

- PVC
- CPVC
- Clear PVC
- PVDF



Simplex Strainers

- PVC
- CPVC
- GFPP
- PVDF
- Eastar® (Clear)



Duplex Strainers

- PVC
- CPVC
- GFPP
- Eastar® (Clear)

Valves and Flow Control



Ball Valves

- PVC
- CPVC
- GFPP
- PVDF



Check Valves

- Ball Check Valves
- Y-Check Valves
- Wafer Check Valves
- Swing Check Valves



Pressure & Chemfeed

- Injection Quills
- Back Pressure
- Pressure Relief
- Diaphragm Valves
- Needle Valves
- Angle Globe Valves



Butterfly Valves

- PVC
- CPVC
- GFPP
- PP
- PVDF



Actuation

- Electric
- Pneumatic



Solenoid Valves

- PVC
- CPVC
- PVDF



Australia

Monarch Asia Pacific Pty Ltd
Unit 3
8 Bult Drive
Brendale, QLD 4500

Phone : +61 (0) 7 3889 9949

www.monarcindustrial.com.au



Thailand

PSF Equipment (Thailand) Co Ltd
11 Soi Suanphak 42
Suanphak Road, Chimphli
Talingchan, Bangkok 10170

Phone : +66 (0) 2 882 5512
Fax No: +66 (0) 2 424 3725

www.psfthailand.com