

## BYB Series Large Diameter Butterfly Valves

14" TO 24" PVC, CPVC, PP AND PVDF

### KEY FEATURES

- PVC, CPVC, PP and PVDF Bodies
- PVC, CPVC, PP and PVDF Discs
- Heavy Duty Gear Operator
- 410 Grade Stainless Steel Stem
- Choice of FPM, EPDM or Nitrile Liners

### OPTIONS

- Pneumatic or Electric Actuators
- Stem Extensions

### MATERIALS

- PVC Cell Class 12454 per ASTM D1784
- CPVC Cell Class 23447 per ASTM D1784
- PP per ASTM D4101
- PVDF
- FPM and EPDM Liners



## TECHNICAL INFORMATION

### SELECTION CHART

SIZE	BODY MATERIAL	DISC MATERIAL	LINER MATERIAL	PRESSURE RATING
14" – 16" (DN350 – DN400)				86 PSI @ 70°F 6 Bar @ 21°C Non-Shock
18" (DN450)	PVC, CPVC, PP or PVDF	CPVC, PP or PVDF	FPM, EPDM or Nitrile	72 PSI @ 70°F 5 Bar @ 21°C Non-Shock
20" – 24" (DN500 – DN600)				51 PSI @ 70°F 3 Bar @ 21°C Non-Shock

# BYB Series Large Diameter Butterfly Valves

14" TO 24" PVC, CPVC, PP AND PVDF



Brisbane, Australia

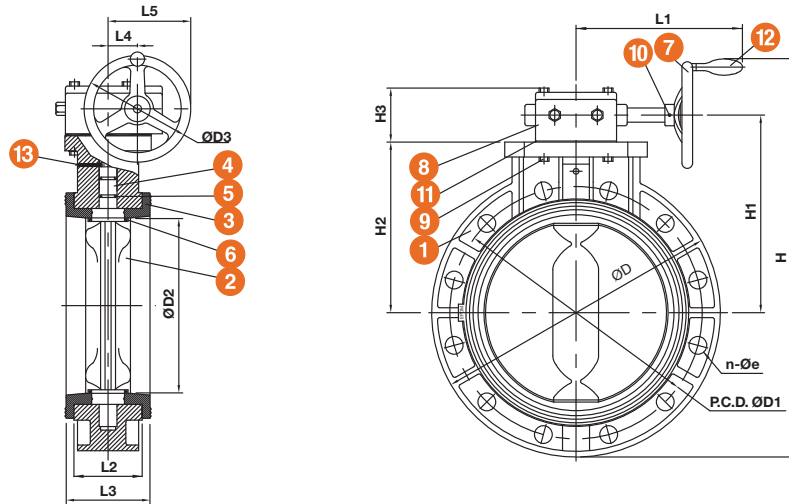
[www.monarchindustrial.com.au](http://www.monarchindustrial.com.au)

[www.monarchasiapacific.com.au](http://www.monarchasiapacific.com.au)

## TECHNICAL INFORMATION, CONTINUED

### PARTS LIST

- |                |                  |
|----------------|------------------|
| 1. Body        | 8. Gear Box      |
| 2. Disc        | 9. Bolt & Washer |
| 3. Seat Seal   | 10. Spring Pin   |
| 4. Stem        | 11. Packing      |
| 5. Stem O-Ring | 12. Small Handle |
| 6. Disc O-Ring | 13. Pin          |
| 7. Handwheel   |                  |

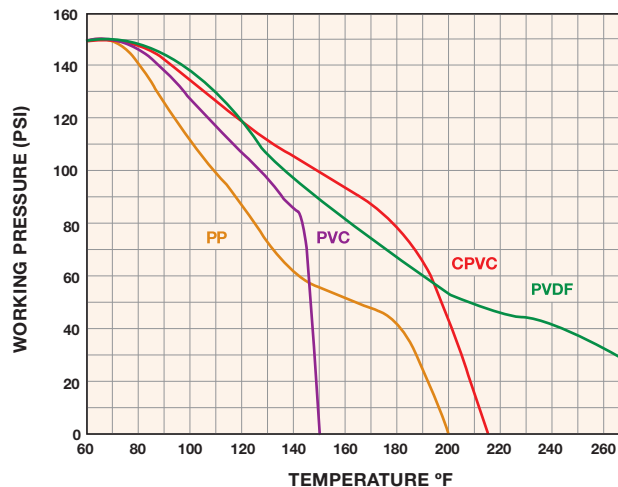


### DIMENSIONS

SIZE in / DN	n-Øe	D in / mm	D1 in / mm	D2 in / mm	D3 in / mm	H in / mm	H1 in / mm	H2 in / mm	H3 in / mm	L1 in / mm	L2 in / mm	L3 in / mm	L4 in / mm	L5 in / mm
14 / 350	12-29	20.87 / 530	18.74 / 476	14.17 / 360	9.84 / 250	28.82 / 732	13.46 / 342	11.81 / 300	3.07 / 78	12.99 / 330	4.45 / 113	5.00 / 127	2.36 / 60	7.28 / 185
16 / 400	16-29	23.62 / 560	21.26 / 540	15.65 / 398	11.81 / 300	34.21 / 869	16.73 / 425	13.78 / 350	4.72 / 120	13.90 / 353	6.00 / 152	6.57 / 167	3.19 / 81	9.09 / 231
18 / 450	16-32	24.80 / 630	22.76 / 578	17.81 / 452	11.81 / 300	35.83 / 910	17.52 / 445	14.57 / 370	4.61 / 117	13.90 / 353	6.44 / 164	7.05 / 179	3.19 / 81	9.09 / 231
20 / 500	20-32	27.40 / 696	25.00 / 635	19.76 / 502	15.98 / 406	40.83 / 1037	19.13 / 486	16.14 / 410	5.63 / 143	15.35 / 390	6.69 / 170	7.44 / 189	4.72 / 120	12.72 / 323
24 / 600	20-35	32.01 / 813	29.80 / 757	23.74 / 603	15.98 / 406	44.00 / 1118	20.20 / 513	18.31 / 465	5.24 / 133	13.78 / 350	7.52 / 191	8.27 / 210	5.31 / 135	13.18 / 335

Dimensions are subject to change without notice – consult factory for installation information

### OPERATING TEMPERATURE/PRESSURE



Hayward is a registered trademark of Hayward Industries, Inc. © 2018 Hayward Industries, Inc.