

NEW



TB Series True Union Ball Valves

1/4" - 2" PVDF

KEY FEATURES

- Available in sizes 1/4" - 2"
- Threaded or Socket Fusion (IPS) Ends
- Full Port Design
- FPM O-Ring Seals Standard, EPDM upon request
- Reversible PTFE Seats
- Double O-Ring Stem Seals
- Available with Electric or Pneumatic Actuation

OPTIONS

- Manual Limit Switches
- Pneumatic and Electric Actuators

MATERIALS

- Natural PVDF per ASTM D3222 Type 1
- FPM O-Ring Seals
- PTFE Seat

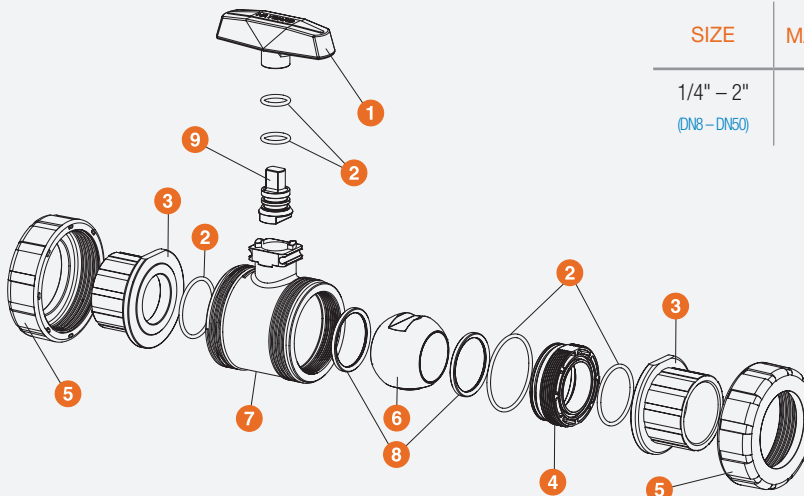
TYPICAL APPLICATIONS

- Chemical Processing, Handling and Feed Applications
- Water and Wastewater Treatment
- Pulp and Paper
- Marine and Corrosive Environments

*For installation, see IOM

TECHNICAL INFORMATION

EXPLODED VIEW



SELECTION CHART

SIZE	MATERIAL	END CONNECTION	SEALS	PRESSURE RATING
1/4" - 2" (DN8 - DN50)	PVDF	Threaded or Socket Fusion (IPS)	FPM	150 PSI @ 70°F 10 Bar @ 21°C Non-Shock

TB Series True Union Ball Check Valves

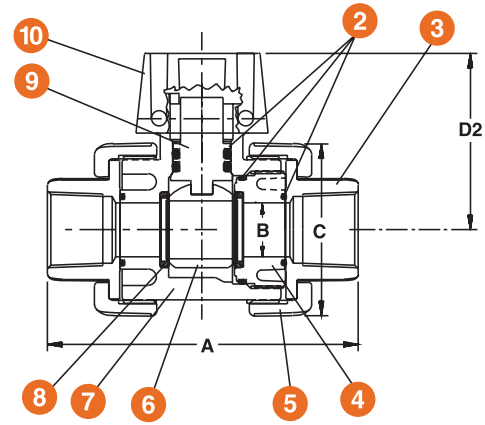
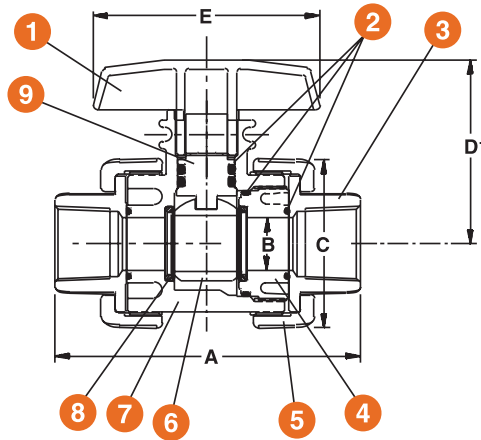
1/4" - 2" PVDF

TECHNICAL INFORMATION, CONTINUED

PARTS LIST

1. Handle-PVC
2. O-Ring Seals-FPM or EPDM
3. End Connector-PVDF
4. Seal Retainer-PVDF
5. Union Nut-PVDF
6. Ball-PVDF
7. Body-PVDF
8. PTFE Seats
9. Stem-PVDF
10. Actuator Mounting Pad

* Mounting bracket sold separately



DIMENSIONS

SIZE in / DN	A in / mm	B in / mm	C in / mm	D1 in / mm	D2 in / mm	E in / mm	WEIGHT
							lbs / kg
							SOC / THD
1/4 / 8	4.65 / 118	.49 / 13	2.23 / 57	2.80 / 71	2.62 / 67	3.50 / 89	.75 / .34
3/8 / 10	4.65 / 118	.49 / 13	2.23 / 57	2.80 / 71	2.62 / 67	3.50 / 89	.75 / .34
1/2 / 15*	4.65 / 118	.49 / 13	2.23 / 57	2.80 / 71	2.62 / 67	3.50 / 89	.75 / .34
3/4 / 20*	4.84 / 123	.74 / 19	2.59 / 66	2.98 / 76	2.77 / 71	3.50 / 89	.75 / .34
1 / 25*	5.33 / 135	.93 / 24	2.98 / 76	3.31 / 84	3.10 / 79	4.00 / 102	1.15 / .52
1-1/2 / 40*	6.66 / 169	1.44 / 37	3.97 / 101	3.84 / 98	3.4 / 86	5.00 / 127	2.15 / .98
2 / 50*	7.88 / 200	1.88 / 48	4.64 / 118	4.33 / 110	3.9 / 99	5.00 / 127	3.80 / 1.72

Dimensions are subject to change without notice – consult factory for installation information

Cv VALUES

SIZE in / DN	Cv VALUES
1/4 / 8	1.0
3/8 / 10	2.8
1/2 / 15	8.0
3/4 / 20	16.0
1 / 25	29.0
1-1/2 / 40	90.0
2 / 50	150.0

PRESSURE LOSS CALCULATION FORMULA

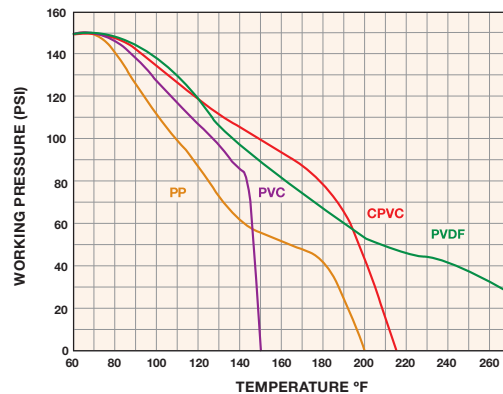
$$\Delta P = \left[\frac{Q}{C_v} \right]^2$$

ΔP = Pressure Drop

Q = Flow in GPM

Cv = Flow Coefficient

OPERATING TEMPERATURE/PRESSURE



Hayward is a registered trademark
of Hayward Industries, Inc.
© 2022 Hayward Industries, Inc.

USA: 1.888.429.4635 • Fax: 1.888.778.8410 • One Hayward Industrial Drive • Clemmons, NC 27012 • Email: hfcsales@hayward.com

Canada: 1.888.238.7665 • Fax: 1.905.829.3636 • 2880 Plymouth Drive • Oakville, ON L6H 5R4 • Email: hfcanada@hayward.com

Visit us at: haywardflowcontrol.com

Authorised Distributor of Hayward Flow Control, a Division of Hayward Industries, Inc

Hayward Flow Control has been a leading manufacturer of industrial thermoplastic valves and process control products for more than 60 years. In fact, Hayward was one of the originators of the first thermoplastic ball valves. Since then, we have remained committed to producing the highest quality products while providing outstanding service.

Liquid Filters and Strainers



Bag Filter vessel

- GFPP
- PVC
- CPVC



Y Strainers

- PVC
- CPVC
- Clear PVC
- PVDF



Simplex Strainers

- PVC
- CPVC
- GFPP
- PVDF
- Eastar® (Clear)



Duplex Strainers

- PVC
- CPVC
- GFPP
- Eastar® (Clear)

Valves and Flow Control



Ball Valves

- PVC
- CPVC
- GFPP
- PVDF



Check Valves

- Ball Check Valves
- Y-Check Valves
- Wafer Check Valves
- Swing Check Valves



Pressure & Chemfeed

- Injection Quills
- Back Pressure
- Pressure Relief
- Diaphragm Valves
- Needle Valves
- Angle Globe Valves



Butterfly Valves

- PVC
- CPVC
- GFPP
- PP
- PVDF



Actuation

- Electric
- Pneumatic



Solenoid Valves

- PVC
- CPVC
- PVDF



Australia

Monarch Asia Pacific Pty Ltd
Unit 3
8 Bult Drive
Brendale, QLD 4500

Phone : +61 (0) 7 3889 9949

www.monarcindustrial.com.au



Thailand

PSF Equipment (Thailand) Co Ltd
11 Soi Suanphak 42
Suanphak Road, Chimphi
Talingchan, Bangkok 10170

Phone : +66 (0) 2 882 5512
Fax No: +66 (0) 2 424 3725

www.psfthailand.com