

NEW PRODUCT PREVIEW
TB Series Black GFPP True Union Ball Valves

1/2" TO 2" / DN15 - 50 BLACK GFPP

KEY FEATURES & BENEFITS

- Black GFPP Material with enhanced UV Capabilities
- Full Port Design
- Reversible PTFE Seats
- Double O-Ring Stem Seals
- Easily Actuated

OPTIONS

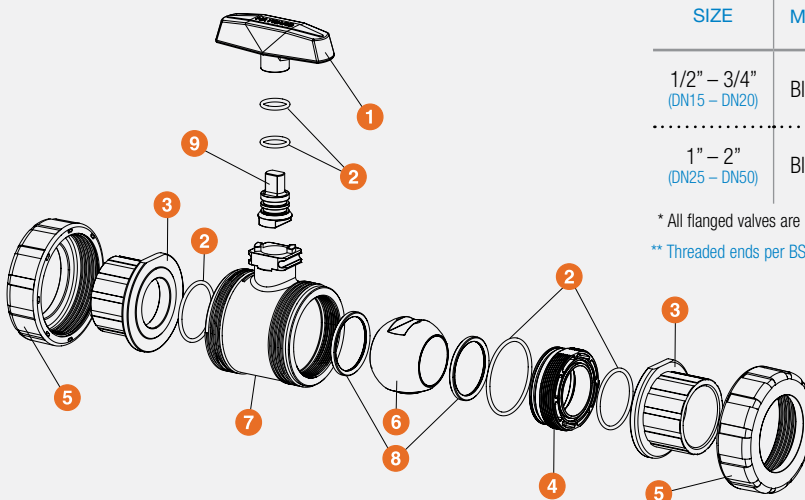
- Pneumatic and Electric Actuators
- Manual Limit Switch
- HDPE Transition Fittings, sold separately
- PVC Socket Ends, sold separately

MATERIALS

- GFPP Cell Class 85580 per ASTM D4101
- FPM and EPDM O-Ring Seals

APPLICATIONS

- Chemical Processing & Transfer
- Mining
- Marine & Corrosive Environments
- Aquaculture
- Irrigation / Agriculture


TECHNICAL INFORMATION
EXPLODED VIEW

SELECTION CHART

SIZE	MATERIAL	END CONNECTION	SEALS	PRESSURE RATING
1/2" – 3/4" (DN15 – DN20)	Black GFPP	Threaded	FPM or EPDM	150 PSI @ 70°F 10 Bar @ 21°C Non-Shock
1" – 2" (DN25 – DN50)	Black GFPP	Threaded or Flanged	FPM or EPDM	150 PSI @ 70°F 10 Bar @ 21°C Non-Shock

* All flanged valves are rated to 150 PSI @ 70°F Non-Shock (10 Bar @ 21°C)

** Threaded ends per BS21. Flanged ends available in DIN / EN PN10.

TB SERIES

BLACK GFPP TRUE UNION BALL VALVES

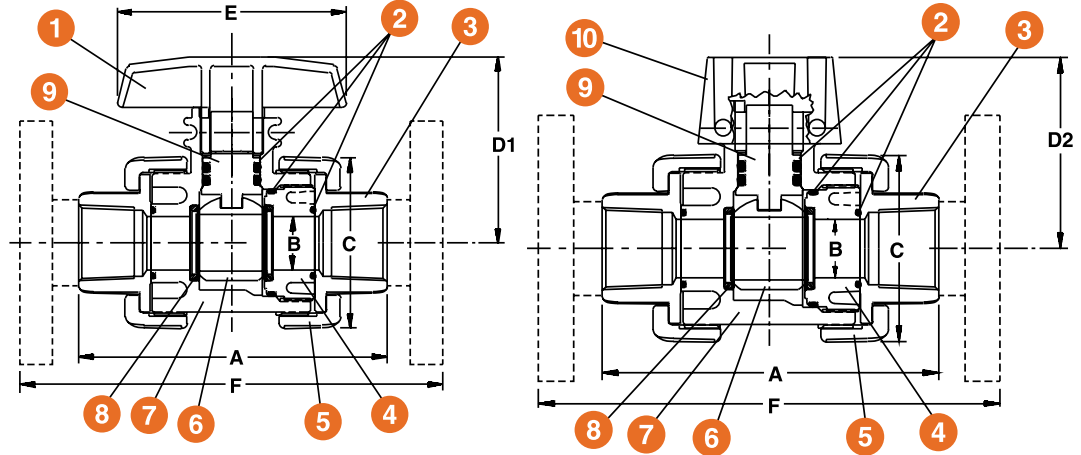
1/2" TO 2" / DN15 - 50 BLACK GFPP

TECHNICAL INFORMATION, CONTINUED

PARTS LIST

1. Handle - GFPP
2. O-Ring Seals - EPDM or FPM
3. End Connector - GFPP
4. Seal Retainer - GFPP
5. Union Nut - GFPP
6. Ball - GFPP
7. Body - GFPP
8. PTFE Seat - GFPP
9. Stem - GFPP
10. Actuator Mounting Pad - GFPP

* Mounting bracket sold separately



DIMENSIONS

SIZE in / DN	A in / mm	B in / mm	C in / mm	D1 in / mm	D2 in / mm	E in / mm	F in / mm	WEIGHT lbs / kg	
								SOC / THD	FLANGED
1/2 / 15*	4.77 / 121	.50 / 13	2.25 / 57	2.81 / 71	2.63 / 67	3.50 / 89	6.75 / 171	.75 / .34	1.00 / .45
3/4 / 20*	4.85 / 123	.75 / 19	2.63 / 67	3.02 / 77	2.81 / 71	3.50 / 89	7.13 / 181	.75 / .34	1.00 / .45
1 / 25*	5.44 / 138	.93 / 24	3.00 / 76	3.26 / 83	3.05 / 77	4.00 / 102	8.09 / 205	1.15 / .52	2.15 / .98
1-1/4 / 32*	6.30 / 160	1.50 / 38	4.00 / 102	3.92 / 100	3.48 / 88	5.00 / 127	-	2.15 / .98	-
1-1/2 / 40*	6.85 / 174	1.50 / 38	4.00 / 102	3.92 / 100	3.48 / 88	5.00 / 127	9.88 / 251	2.15 / .98	3.75 / 1.70
2 / 50*	8.00 / 203	1.94 / 49	4.75 / 121	4.43 / 113	4.00 / 102	5.00 / 127	11.4 / 290	3.80 / 1.72	6.30 / 2.86

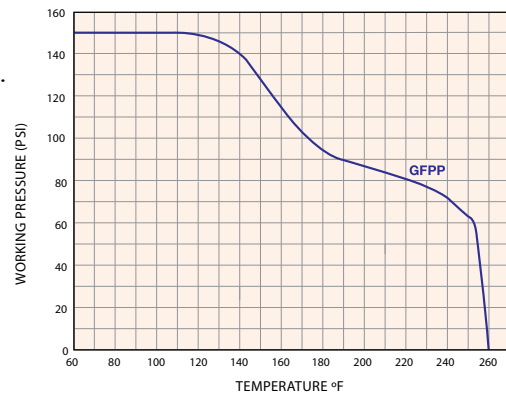
Dimensions are subject to change without notice – consult factory for installation information

* Metric End Connections Available In: BSP – Straight Thread, BSP TR – Tapered Thread

Cv VALUES

SIZE in / DN	Cv VALUES	SIZE in / DN	Cv VALUES	PRESSURE LOSS CALCULATION FORMULA
1/2 / 15	8.0	1-1/2 / 40	90.0	
3/4 / 20	16.0	2 / 50	150.0	
1 / 25	29.0			
1-1/4 / 32	75.0			

OPERATING TEMPERATURE/PRESSURE



Hayward is a registered trademark of Hayward Industries, Inc. © 2023 Hayward Industries, Inc.

NPP0423

Contact Hayward Flow Control with questions:

USA: 1.888.429.4635 • Fax: 1.888.778.8410 • One Hayward Industrial Drive • Clemmons, NC 27012 • Email: hflow@hayward.com
Canada: 1.888.238.7665 • Fax: 1.905.829.3636 • 2880 Plymouth Drive • Oakville, ON L6H 5R4 • Email: hflowcanada@hayward.com
 Visit us at: haywardflowcontrol.com

Authorised Distributor of Hayward Flow Control, a Division of Hayward Industries, Inc

Hayward Flow Control has been a leading manufacturer of industrial thermoplastic valves and process control products for more than 60 years. In fact, Hayward was one of the originators of the first thermoplastic ball valves. Since then, we have remained committed to producing the highest quality products while providing outstanding service.

Liquid Filters and Strainers



Bag Filter vessel

- GFPP
- PVC
- CPVC



Y Strainers

- PVC
- CPVC
- Clear PVC
- PVDF



Simplex Strainers

- PVC
- CPVC
- GFPP
- PVDF
- Eastar® (Clear)



Duplex Strainers

- PVC
- CPVC
- GFPP
- Eastar® (Clear)

Valves and Flow Control



Ball Valves

- PVC
- CPVC
- GFPP
- PVDF



Check Valves

- Ball Check Valves
- Y-Check Valves
- Wafer Check Valves
- Swing Check Valves



Pressure & Chemfeed

- Injection Quills
- Back Pressure
- Pressure Relief
- Diaphragm Valves
- Needle Valves
- Angle Globe Valves



Butterfly Valves

- PVC
- CPVC
- GFPP
- PP
- PVDF



Actuation

- Electric
- Pneumatic



Solenoid Valves

- PVC
- CPVC
- PVDF



Australia

Monarch Asia Pacific Pty Ltd
Unit 3
8 Bult Drive
Brendale, QLD 4500

Phone : +61 (0) 7 3889 9949

www.monarcindustrial.com.au



Thailand

PSF Equipment (Thailand) Co Ltd
11 Soi Suanphak 42
Suanphak Road, Chimphi
Talingchan, Bangkok 10170

Phone : +66 (0) 2 882 5512
Fax No: +66 (0) 2 424 3725

www.psfthailand.com