



Certified to
NSF/ANSI 61 & 372
2-1/2" – 6"

TBH Series True Union Ball Valves

2-1/2" TO 6" PVC AND CPVC

KEY FEATURES

- Available in PVC and CPVC
- Full Port Design Through 4"
- Reversible PTFE Seats
- Double O-Ring Stem Seals
- Ergonomic GFPP handle for improved grip and comfort
- ISO Mounting Flange
- Lockout/Tagout Standard
- Permanent Markings
- NSF / ANSI 61 and NSF / ANSI 372 Listed

OPTIONS

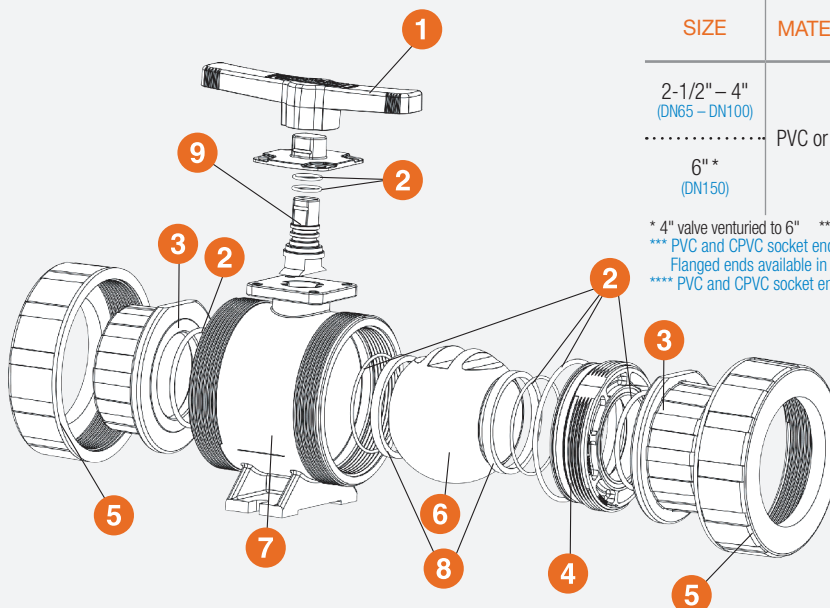
- Pneumatic and Electric Actuators
- Stem Extensions
- Limit Switch LHB Series

MATERIALS

- PVC Cell Class 12454 per ASTM D1784
- CPVC Cell Class 23447 per ASTM D1784
- GFPP Cell Class 85580 per ASTM D4101
- FPM and EPDM O-Ring Seals

TECHNICAL INFORMATION

EXPLODED VIEW



SELECTION CHART

SIZE	MATERIAL	END CONNECTION	SEALS	PRESSURE RATING
2-1/2" – 4" (DN65 – DN100)	PVC or CPVC	Socket, Threaded or Flanged**	FPM or EPDM	235 PSI @ 70°F 16 Bar @ 21°C Non-Shock
6"* (DN150)		Flanged		150 PSI @ 70°F 10 Bar @ 21°C Non-Shock

* 4" valve venturied to 6" ** All flanged valves are rated to 150 PSI @ 70°F Non-Shock (10 Bar @ 21°C)

*** PVC and CPVC socket ends available to ISO 727-1 and threaded ends to BS21.

Flanged ends available in DIN / EN PN10.

**** PVC and CPVC socket ends available to JIS K 6743 and threaded ends to JIS B 0203.

TBH Series True Union Ball Valves

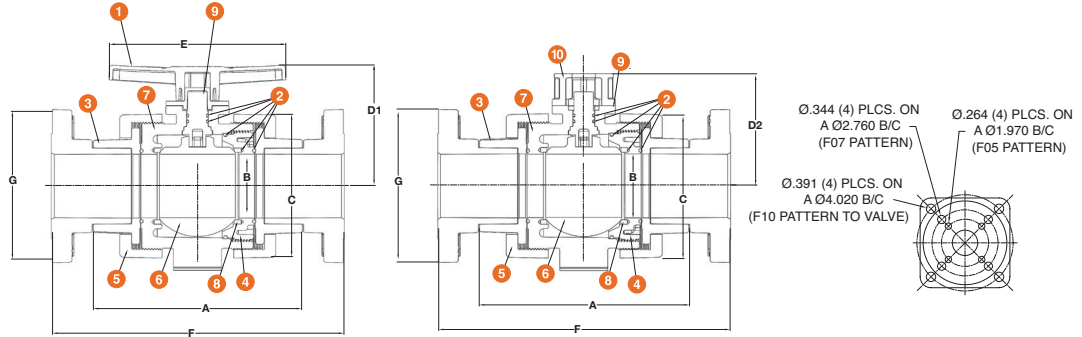
2-1/2" TO 6" PVC AND CPVC

TECHNICAL INFORMATION, CONTINUED

PARTS LIST

1. Handle
2. O-Ring Seals
3. End Connector
4. Seal Retainer
5. Union Nut
6. Ball
7. Body
8. PTFE Seat
9. Stem
10. Actuator Mounting Bracket*

* Mounting bracket sold separately



DIMENSIONS

SIZE in / DN	A in / mm	B in / mm	C in / mm	D1 in / mm	D2 in / mm	E in / mm	F in / mm	G in / mm	WEIGHT lbs / kg	
									SOC / THD	FLANGED
2-1/2 / 65	10.68 / 271	2.75 / 70	6.66 / 169	6.7 / 170	6.17 / 157	10.50 / 267	14.65 / 372	7.00 / 178	11.30 / 5.13	15.30 / 6.94
3 / 80*	10.56 / 268	2.75 / 70	6.66 / 169	6.7 / 170	6.17 / 157	10.50 / 267	14.60 / 371	7.90 / 200	11.30 / 5.13	15.30 / 6.94
4 / 100*	12.30 / 312	3.81 / 97	8.56 / 217	7.2 / 183	6.64 / 168	10.50 / 267	17.26 / 438	8.96 / 228	18.50 / 8.39	25.70 / 11.66
6 / 150*	N/A	3.81 / 97	8.56 / 217	7.2 / 183	6.64 / 168	10.50 / 267	19.26 / 489	11.00 / 279	N/A	30.75 / 13.95

Dimensions are subject to change without notice – consult factory for installation information

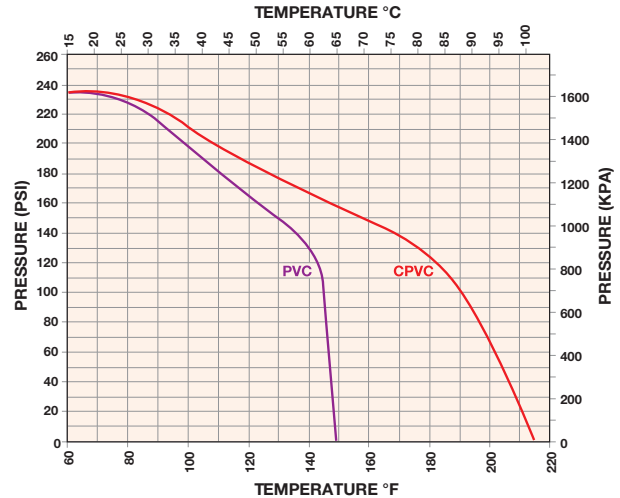
* Metric End Connections Available In: BSP – Straight Thread, BSP TR – Tapered Thread and Metric Socket

** Flange ends comply to ANSI150 bolt pattern, PN10 or JIS10K available upon request

Cv VALUES

SIZE in / DN	Cv VALUES	SIZE in / DN	Cv VALUES
2-1/2 / 65	340	4 / 100	600
3 / 80	490	6 / 150	550

OPERATING TEMPERATURE/PRESSURE



Hayward is a registered trademark of Hayward Industries, Inc. © 2021 Hayward Industries, Inc.

USA: 1.888.429.4635 • Fax: 1.888.778.8410 • One Hayward Industrial Drive • Clemmons, NC 27012 • Email: hfcsales@hayward.com
 Canada: 1.888.238.7665 • Fax: 1.905.829.3636 • 2880 Plymouth Drive • Oakville, ON L6H 5R4 • Email: hfcanada@hayward.com
 Visit us at: haywardflowcontrol.com

Authorised Distributor of Hayward Flow Control, a Division of Hayward Industries, Inc

Hayward Flow Control has been a leading manufacturer of industrial thermoplastic valves and process control products for more than 60 years. In fact, Hayward was one of the originators of the first thermoplastic ball valves. Since then, we have remained committed to producing the highest quality products while providing outstanding service.

Liquid Filters and Strainers



Bag Filter vessel

- GFPP
- PVC
- CPVC



Simplex Strainers

- PVC
- CPVC
- GFPP
- PVDF
- Eastar® (Clear)



Y Strainers

- PVC
- CPVC
- Clear PVC
- PVDF



Duplex Strainers

- PVC
- CPVC
- GFPP
- Eastar® (Clear)

Valves and Flow Control



Ball Valves

- PVC
- CPVC
- GFPP
- PVDF



Butterfly Valves

- PVC
- CPVC
- GFPP
- PP
- PVDF



Check Valves

- Ball Check Valves
- Y-Check Valves
- Wafer Check Valves
- Swing Check Valves



Actuation

- Electric
- Pneumatic



Pressure & Chemfeed

- Injection Quills
- Back Pressure
- Pressure Relief
- Diaphragm Valves
- Needle Valves
- Angle Globe Valves



Solenoid Valves

- PVC
- CPVC
- PVDF



Australia

Monarch Asia Pacific Pty Ltd
Unit 3
8 Bult Drive
Brendale, QLD 4500

Phone : +61 (0) 7 3889 9949

www.monarcindustrial.com.au



Thailand

PSF Equipment (Thailand) Co Ltd
11 Soi Suanphak 42
Suanphak Road, Chimphi
Talingchan, Bangkok 10170

Phone : +66 (0) 2 882 5512
Fax No: +66 (0) 2 424 3725

www.psfthailand.com