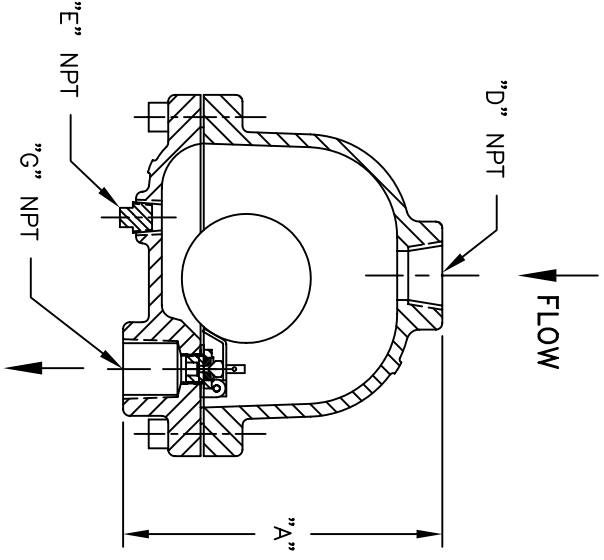
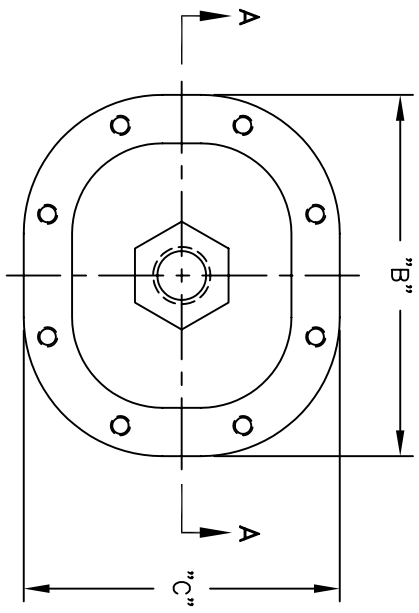
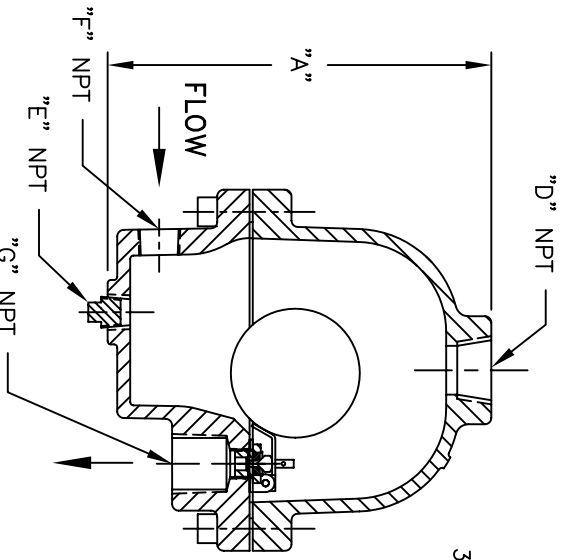


PART NO.	DIMENSIONS						WEIGHT		
	"A"	"B"	"C"	"D"	"E"	"F"	"G"	LBS	KGS
95SSSACAN	6.25 / 159	7.00 / 178	6.13 / 156	1 / 25	3/8 / 10	---	1 / 25	17	7.7
95SSSAC-SIAN	7.50 / 191	7.00 / 178	6.13 / 156	1 / 25	3/8 / 10	1/2 / 13	1 / 25	19	8.6



SECTION A-A
P/N: 95SSSACAN



(SIDE INLET)
P/N: 95SSSAC-SIAN

- NOTES:
1. ALL DIMENSIONS ARE IN INCHES [MM].
 2. DESIGN DATA:
 DESIGN PRESSURE- 500 PSIG [34.4 BARS]
 DESIGN TEMPERATURE- 450° F [232.2 °C]
 MIN. DESIGN METAL TEMP.- -20° F @ 500 PSIG
 [-28.9° C @ 34.4 BARS]
 3. MATERIAL: BODY & COVER - STAINLESS STEEL SA351 CF8M
 INTERNALS - STAINLESS STEEL

CERTIFIED FOR:
 P.O. NO.:
 S.O. NO.:
 QUOTE NO.:
 TAG NO.:

ELECTRONIC FILE NAME: SD95ASAN.DWG
 REF. ECR D507
 DATE 10/18/05

UNAUTHORIZED USE, MANUFACTURE OR
 REPRODUCTION IN WHOLE OR IN PART IS
 PROHIBITED. DRAWING, DESIGN AND
 OTHER DISCLOSURES PROPERTY OF
 EATON FILTRATION, LLC

		NAME TYPE 95-AC FLOAT DRAIN TRAPS FOR COMPRESSED AIR & GAS SERVICE STAINLESS STEEL			
		DATE 5/24/04	CERT. VAA	DATE 5/24/04	REV B
DRAWN FM SIZE A	DWG NO.	SD95ASAN			