

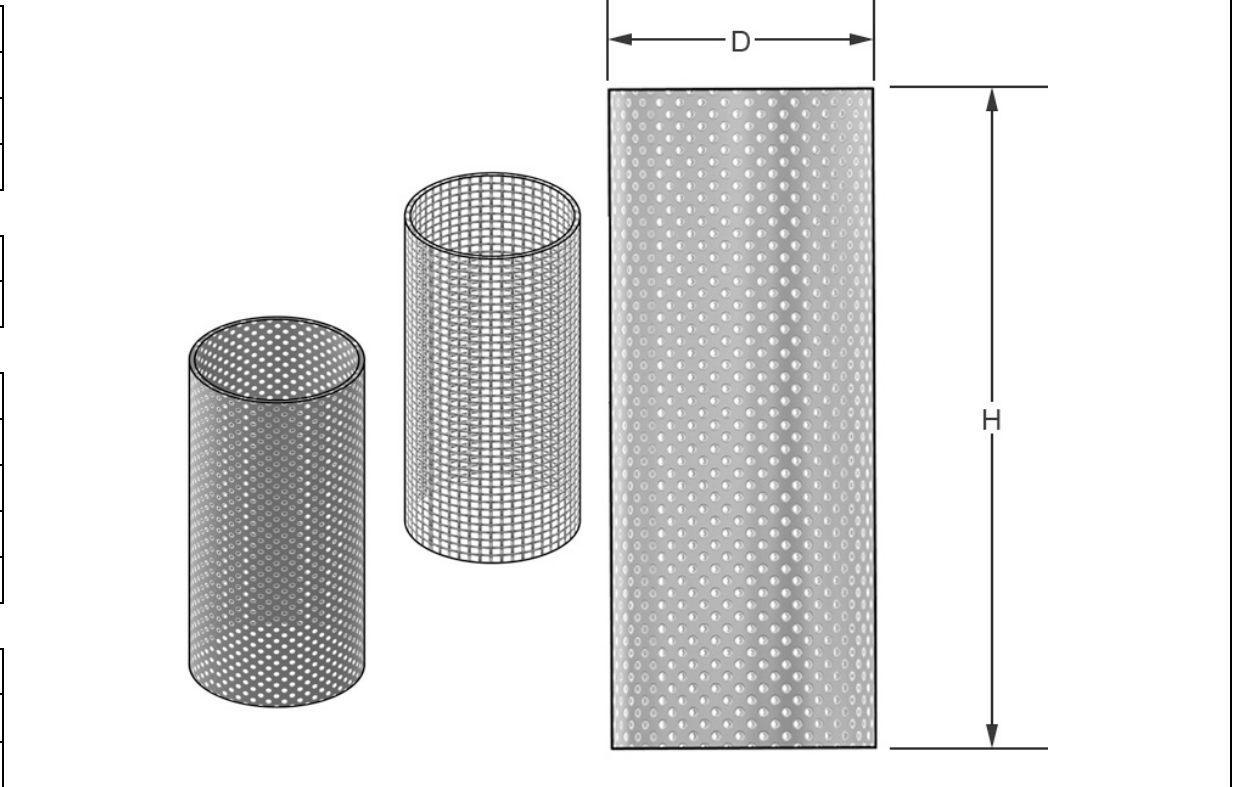
Screen Removal Size (mm, microns etc)		Dimensions (mm)		Dimension D
Perforated Layer		D	mm	D is the Outside Diameter
Fine Mesh Layer		H	mm	D is the Inside Diameter

Confirmation of Screen Construction
Perforated layer only (1 layer)
Perforated with fine mesh layer (2 layer)
Woven wire mesh layer only (1 layer)

Material	
304 S/S	316 S/S

Y Strainer Details (Optional)	
Make	
Model	
Connection Size	
Unit Code	

Gasket Details (Optional)	
Type	
O.D.	mm
I.D.	mm
Thickness	mm



Notes

Instructions
Please complete, save as a PDF and return for quoting.
To: sales@monarchindustrial.com.au



www.monarchindustrial.com.au

Document No. WD1001		Title:	Y Strainer Screen
Date:		Name:	
Monarch Ref No.		Company:	
Customer Ref No.		Email:	
NOT TO SCALE		Phone:	