



Valve-Safe Lockouts

FOR BALL VALVES UP TO 6"

KEY FEATURES (A)

- For Ball Valves up to 6"
- Latches and Lockable in Open / Close Position
- Simple Trigger Mechanical Design
- Can Use with Lockout / Tagout Hasp

KEY FEATURES (B)

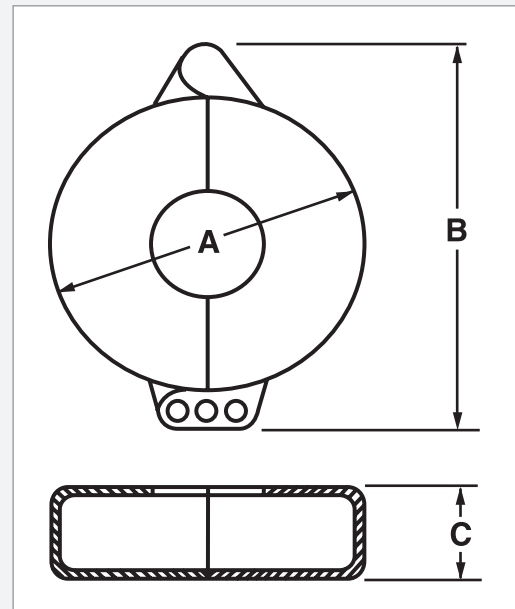
- PP Housing Material
- For All Ball Valves up to 6"
- Use with up to 3 Padlocks

TECHNICAL INFORMATION

DIMENSIONS – INCHES / MILLIMETERS

| SIZE in / DN | A in / mm | B in / mm | C in / mm |
|--|--------------|--------------|--------------|
| 1/2" to 2" Ball Valves (DN15 – DN50) | 5.50 / 140 | 7.00 / 178 | 1.75 / 44 |
| 2-1/2" to 6" Ball Valves (DN63 – DN150) | 14.50 / 368 | 16.00 / 406 | 3.00 / 76 |

Dimensions are subject to change without notice – consult factory for installation information



Hayward is a registered trademark and QIC2 is a trademark of Hayward Industries, Inc.
© 2011 Hayward Industries, Inc.