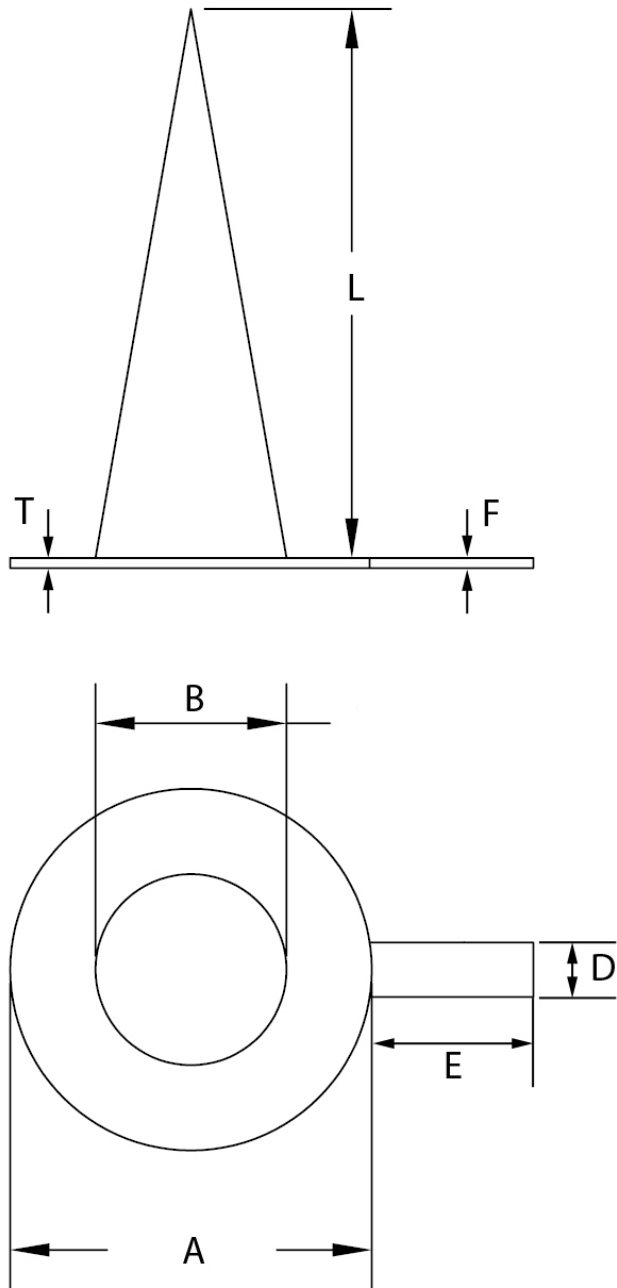


Custom Cone Strainer

Monarch Asia Pacific Pty Ltd
www.monarchindustrial.com.au



| | Description | Dimension (mm) |
|---------------------------------|--|--------------------------------------|
| A | Outside Diameter | |
| B | Inside Diameter | |
| L | Cone Length | |
| T (Standard is 3mm) | Flange Thickness | |
| D (Standard is 25mm) | Handle Width | |
| E (Standard is 100mm) | Handle Length | |
| F (Standard is 3mm) | Handle Thickness | |
| Perforation/Micron Size | | |
| Surface Finish of Flange | <input type="checkbox"/> 120 Grit sanding disc | |
| | <input type="checkbox"/> Serrated Spiral | |
| | <input type="checkbox"/> Serrated Concentric | |
| Material | <input type="checkbox"/> 304 S/Steel | <input type="checkbox"/> 316 S/Steel |
| Flow Direction | <input type="checkbox"/> Direction A | <input type="checkbox"/> Direction B |
| <p>Direction A</p> | | <p>Direction B</p> |

| | |
|----------------------|--------------|
| Contact Name | |
| Company Name | |
| Address | |
| Phone Number | |
| Email Address | |
| Ref No: | Date: |