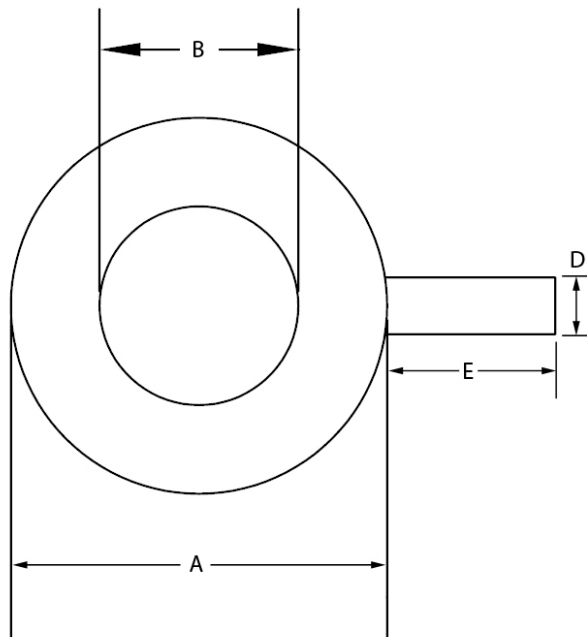
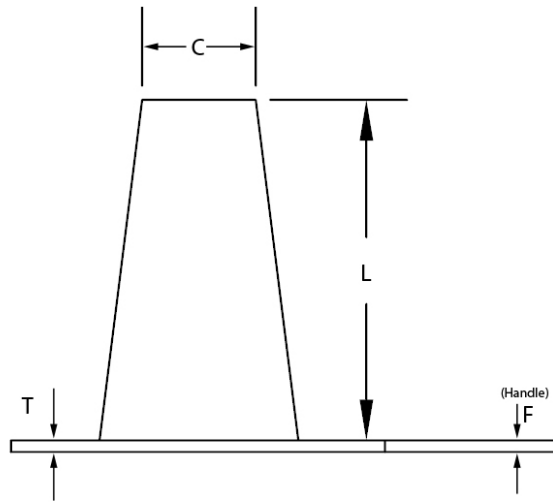


Custom Truncated Cone Strainer

Monarch Asia Pacific Pty Ltd
www.monarchindustrial.com.au



	Description	Dimension (mm)
A	Outside Diameter	
B	Inside Diameter	
C	Cap Diameter	
L	Cone Length	
T (Standard is 3mm)	Flange Thickness	
D (Standard is 25mm)	Handle Width	
E (Standard is 100mm)	Handle Length	
F (Standard is 3mm)	Handle Thickness	
Perforation/Micron Size		
Surface Finish of Flange	<input type="checkbox"/> 120 Grit sanding disc	
	<input type="checkbox"/> Serrated Spiral	
	<input type="checkbox"/> Serrated Concentric	
Material	<input type="checkbox"/> 304 S/Steel	<input type="checkbox"/> 316 S/Steel
Flow Direction	<input type="checkbox"/> Direction A	<input type="checkbox"/> Direction B
<p>Direction A</p>		<p>Direction B</p>

Contact Name	
Company Name	
Address	
Phone Number	
Email Address	
Ref No:	Date: