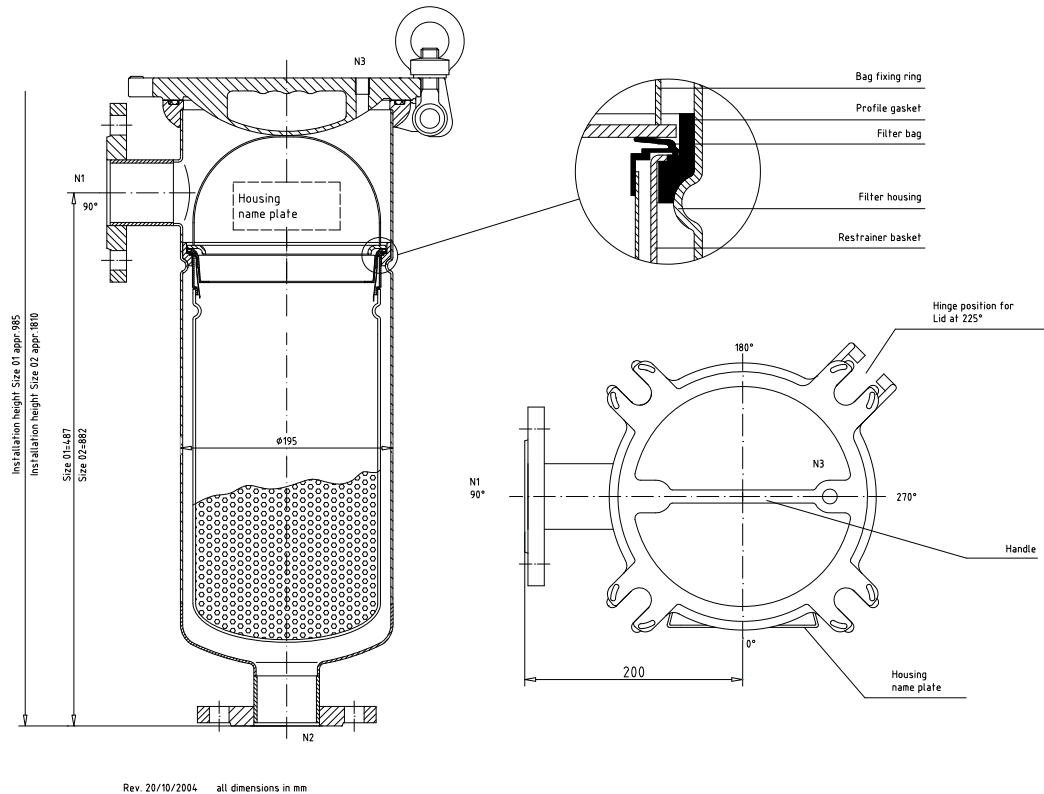


Eaton GAF Bag filter – FLOWLINE Housing 304 Stainless Steel



Specification (Changes possible w/o notice)		Size 01	Size 02
Spe. 18.05.2000			
Type code		FBF-0101-BB10-020A	FBF-0102-BB10-020A
Max. flow rate (m ³ /h)		20	40
Filter area (m ²)		0.25	0.50
Filter housing volume (litre)		15.5	27
Filter housing weight (kg)		approx. 11	approx. 17
Installation height (cm)		approx. 98	approx. 181
Installation space (cm)		approx. 50 x 50	
Material of construction	Housing	SS 304 (filter head, lid) SS 304 (other wetted housing parts)	
	Restrainer basket	SS 316	
	Closure	Steel galvanized (swing eye bolts and ring nuts)	
	Other parts	SS 304	
Operating data		max. 10 bar / 120 °C respectively 15 bar / 30 °C	
Housing connections	N1/N2 (inlet / outlet)	2" ANSI 150psi.	
	N3 (lid hole)	1/4" BSP female with plug	
Hinged lid		standard position at 225°	
Packing: One way palette topped with corrugated box (cm)		L = 85 x W = 30 x H = 30	L = 125 x W = 30 x H = 30

Monarch Group – Filters, Strainers, Separators & Pipeline Equipment

Monarch Industrial Products
Brisbane, Australia
Ph +61 (0) 7 3298 5000
www.monarchindustrial.com.au

PSF Equipment Thailand
Bangkok, Thailand
Ph +66 (0) 2 882 5512
www.psfthailand.com

Eaton GAF Bag filter – FLOWLINE Housing 304 Stainless Steel

Spare parts	Size 01	Size 02
(Changes possible w/o notice) Spe. 18.05.2000		
Restrainer basket	BKT-AS-AB-01	BKT-AS-AB-02
Bag fixing ring	BFR-110-AB-01	
NBR-lid gasket	OR-FBF-B-CO1	
NBR- restrainer basket gasket	P-EBF-V-B01	
Bolt set (Ring nut,swing eye bolt, washer) 4 per housing	EBS-M16ZA-65	

Accessories (order separately)	Size 01	Size 02
filter bags	Size 01	Size 02
Mesh strainers (25 - 800 µm)	FMB-UK-AB-01-25 - 800	FMB-UK-AB-02-25 - 800
Evacuation balloon	BAL-SE-AB-01	BAL-SE-AB-02
Bag positioner	BLK-SE-AB-01	BLK-SE-AB-02
LOFNETIC magnetic insert * see separate data sheet	BLM-LN1/2-AB-01	BLM-LN1/2-AB-02
Wall mounting brackets	WMB-EBF-BB-01	
Leg assembly	LAY-EBF-BB-01	
Pressure gauge (10 bar) 1/4" BSP male	PGE-IND-AB-1/4	
Vent valve 1/4" BSP male	E-1/4-S	
90°/DN 50 elbow pipe for filter outlet	RB-DN50-S-F	
Pipe enlarging module DN 50 / DN 65	RV-DN50/65-S	

Monarch Group – Filters, Strainers, Separators & Pipeline Equipment

Monarch Industrial Products
 Brisbane, Australia
 Ph +61 (0) 7 3298 5000
www.monarchindustrial.com.au

PSF Equipment Thailand
 Bangkok, Thailand
 Ph +66 (0) 2 882 5512
www.psfthailand.com